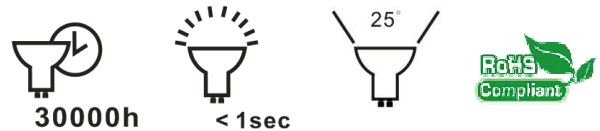
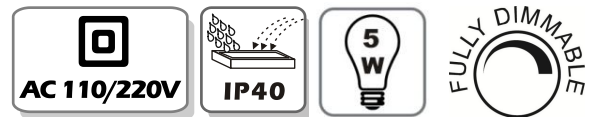


Features

- Light source: 4W Mini-Zenigata power LED
- Source life: More than 30,000 hours
- Low heat, no UV or IR light radiation
- Homogeneous and well defined illumination
- Highest Luminous Efficacy: 53 lm/watt for warm white color
- Optimized heat sink with the right looks and sleek design
- 5W version can achieve directional light output equal to 30W halogen lamp yet consume 80% less power
- Safety Standard: **CE** and RoHS
- 2 year limited warranty (see page 8)
- Works with 110 or 230V AC lighting systems



Picture for illustration only



Typical Applications

- Landscape Accent/Spot lighting
- Architectural Lighting
- Display Case Accent
- Artwork Lighting
- Mood Lighting
- Amusement Park Accent

DIMMING RANGE



PRELIMINARY

PRODUCT SPECIFICATIONS

LIGHT SOURCE	1X4W Mini-Zenigata power LED
OPTICS	Optical grade reflector
LENS DIAMETER	33 mm
BEAM ANGLE	25° (Narrow Spot)
RENDERING INDEX (Ra)	> 70 (for cool white color) > 70 (for warm white color)
TOTAL LENGTH	64 mm (including pins)
WEIGHT	56g
HOUSING	Machined pure aluminum with anodized silver finish, 50 mm (2") diameter
BASE	GU10
DIMMABILITY	Dimmable with house hold traic dimmer

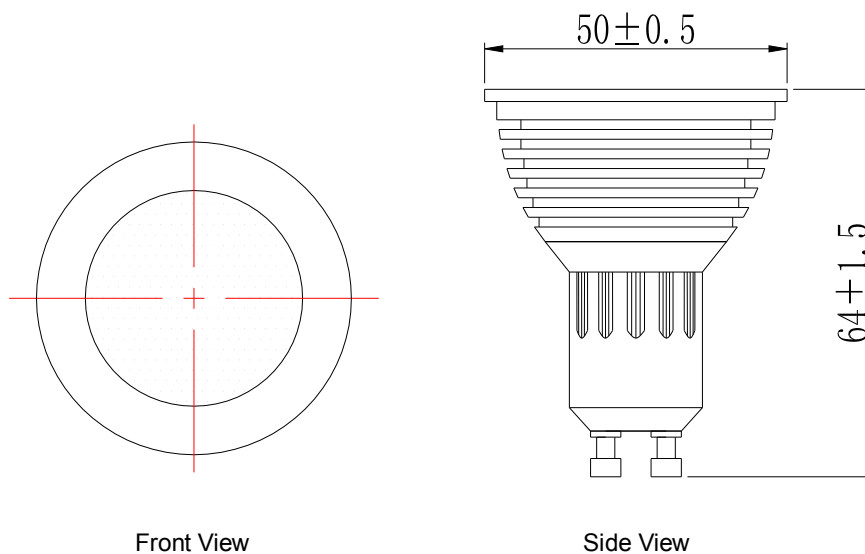
ENVIRONMENTAL SPECIFICATIONS

TEMPERATURE RANGE	Ambient: -20°C to 40°C; Surface of Lamp: 40°C to 50°C
HUMIDITY RANGE	0 to 95% non-condensing humidity

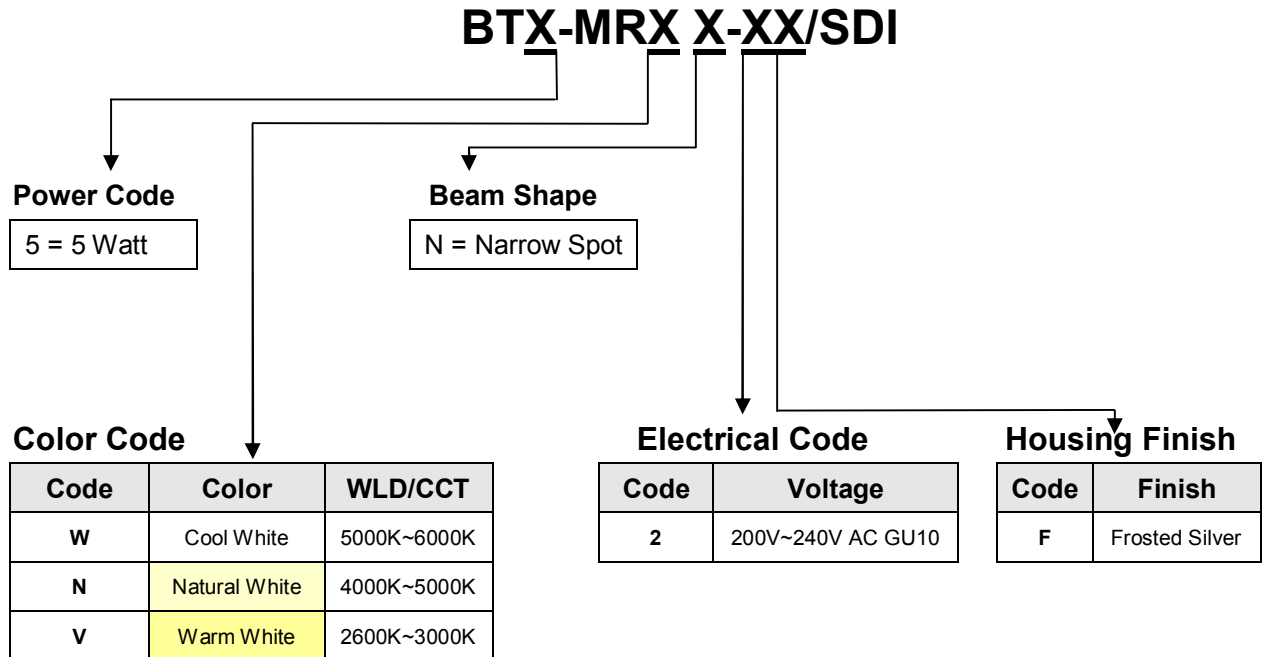
ELECTRICAL SPECIFICATIONS

VOLTAGE REQUIREMENT	110V or 230 VAC
POWER CONSUMPTION	4.5W

PRODUCT DIMENSIONS (mm)



PRELIMINARY

PRODUCT ORDERING CODE

Narrow Spot Model (25° Beam Angle)

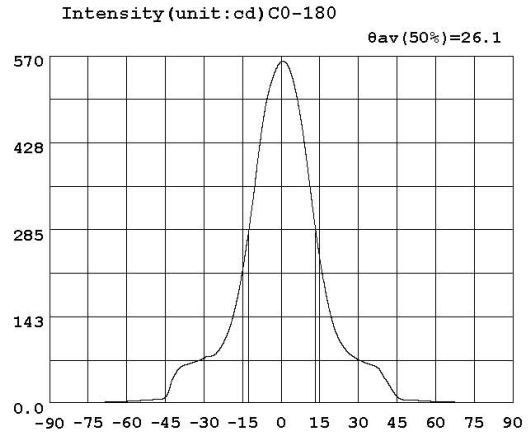
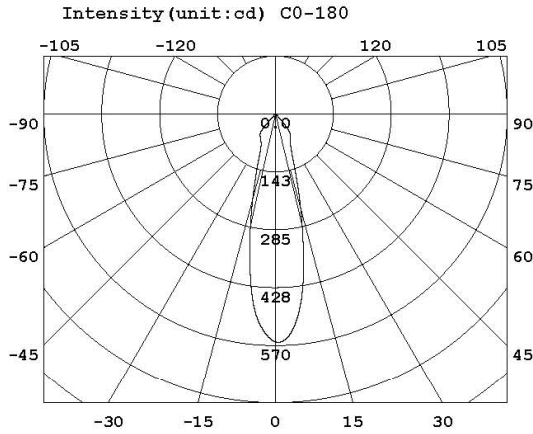
ORDER CODE	Color	CCT (K)	Operating Voltage (V)	Lamp Power (W)	Typical Luminous Flux (lm)	Typical Illuminance @ 1m (Lux)	BEAM ANGLE
BT5-MRWN-2F/SDI	Cool White	5000K~6000K	200~240V AC	5W	N/A	TBA	25° ±2°
BT5-MRNN-2F/SDI	Nat. White	4000K~5000K			300 ±5%		
BT5-MRVN-2F/SDI	Warm White	2600K~3000K			240 ±5%		

Typical Electrical Characteristics at T_a=25°C (For 5W Model)

Parameter	Symbol	Min	Typ	Max	Unit
Input Voltage (AC)	V _{AC}	200		240	V
Input Current	I _F	—	29	—	mA
Estimated Life ^[6]		—	30,000	—	Hours
Optimized Body Temperature	T	—	65	70	°C

PRELIMINARY

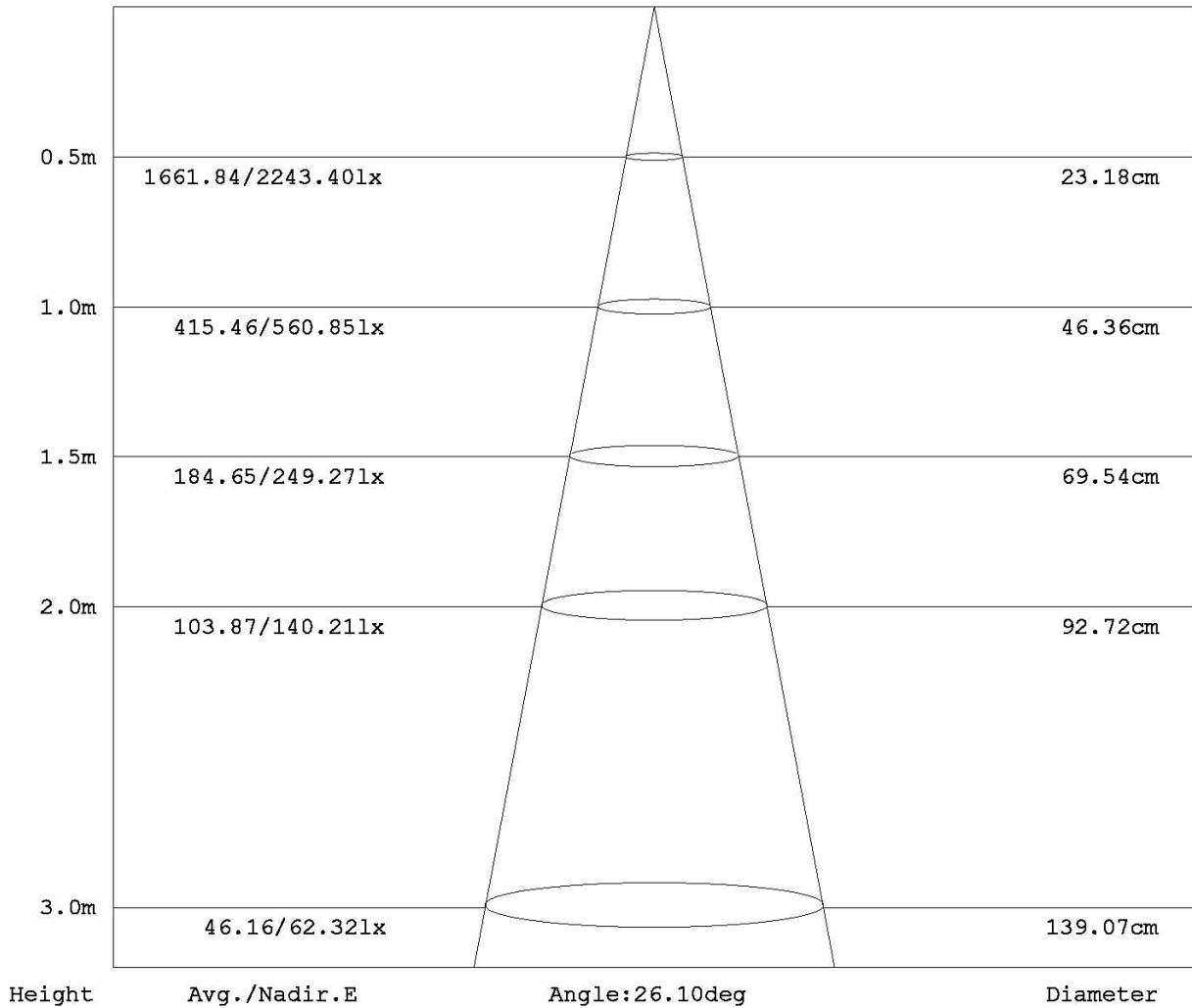
Warm White LED Spotlight Intensity (C0-180 plane) Measurement



Intensity data:(deg , cd) C0-180

A	I	A	I	A	I	A	I	A	I	A	I
-90.0	0.0352	-58.5	2.669	-27.0	78.36	4.5	532.9	36.0	62.51	67.5	0.9680
-88.5	0.0805	-57.0	3.011	-25.5	81.87	6.0	506.3	37.5	58.96	69.0	0.8547
-87.0	0.1209	-55.5	3.430	-24.0	89.18	7.5	471.2	39.0	50.04	70.5	0.7633
-85.5	0.1729	-54.0	3.833	-22.5	99.68	9.0	428.8	40.5	39.25	72.0	0.6837
-84.0	0.2201	-52.5	4.270	-21.0	113.6	10.5	379.1	42.0	28.46	73.5	0.6155
-82.5	0.2721	-51.0	4.744	-19.5	132.1	12.0	328.0	43.5	18.00	75.0	0.5500
-81.0	0.3225	-49.5	5.197	-18.0	155.8	13.5	280.6	45.0	9.933	76.5	0.4862
-79.5	0.3746	-48.0	5.549	-16.5	184.9	15.0	237.7	46.5	6.024	78.0	0.4254
-78.0	0.4317	-46.5	6.132	-15.0	220.0	16.5	200.8	48.0	5.068	79.5	0.3666
-76.5	0.4923	-45.0	9.128	-13.5	259.5	18.0	167.7	49.5	4.692	81.0	0.3172
-75.0	0.5530	-43.5	21.58	-12.0	303.5	19.5	140.5	51.0	4.271	82.5	0.2678
-73.5	0.6236	-42.0	41.26	-10.5	350.3	21.0	119.8	52.5	3.876	84.0	0.2133
-72.0	0.7063	-40.5	52.95	-9.0	400.4	22.5	105.0	54.0	3.465	85.5	0.1532
-70.5	0.7980	-39.0	60.07	-7.5	448.3	24.0	94.32	55.5	3.071	87.0	0.1006
-69.0	0.9159	-37.5	63.32	-6.0	488.1	25.5	86.41	57.0	2.679	88.5	0.0552
-67.5	1.051	-36.0	65.30	-4.5	516.4	27.0	80.44	58.5	2.347	90.0	0.0099
-66.0	1.219	-34.5	67.40	-3.0	537.1	28.5	75.83	60.0	1.987		
-64.5	1.424	-33.0	69.41	-1.5	552.7	30.0	72.14	61.5	1.700		
-63.0	1.694	-31.5	71.75	0.0	560.8	31.5	69.26	63.0	1.465		
-61.5	1.992	-30.0	75.09	1.5	560.4	33.0	66.85	64.5	1.274		
-60.0	2.329	-28.5	78.17	3.0	551.4	34.5	64.63	66.0	1.110		

PRELIMINARY

Illuminance Measurement ($T_a=25^{\circ}\text{C}$)


Notes: 1) BriLux Spotlight typical illuminance data is measured with the GO1900L Goniophotometer

Optional Accessories

1) GU10 Connector – Part No.: 23201

Approval: VDE, UL

Rating: 125V 100W/250V 4A

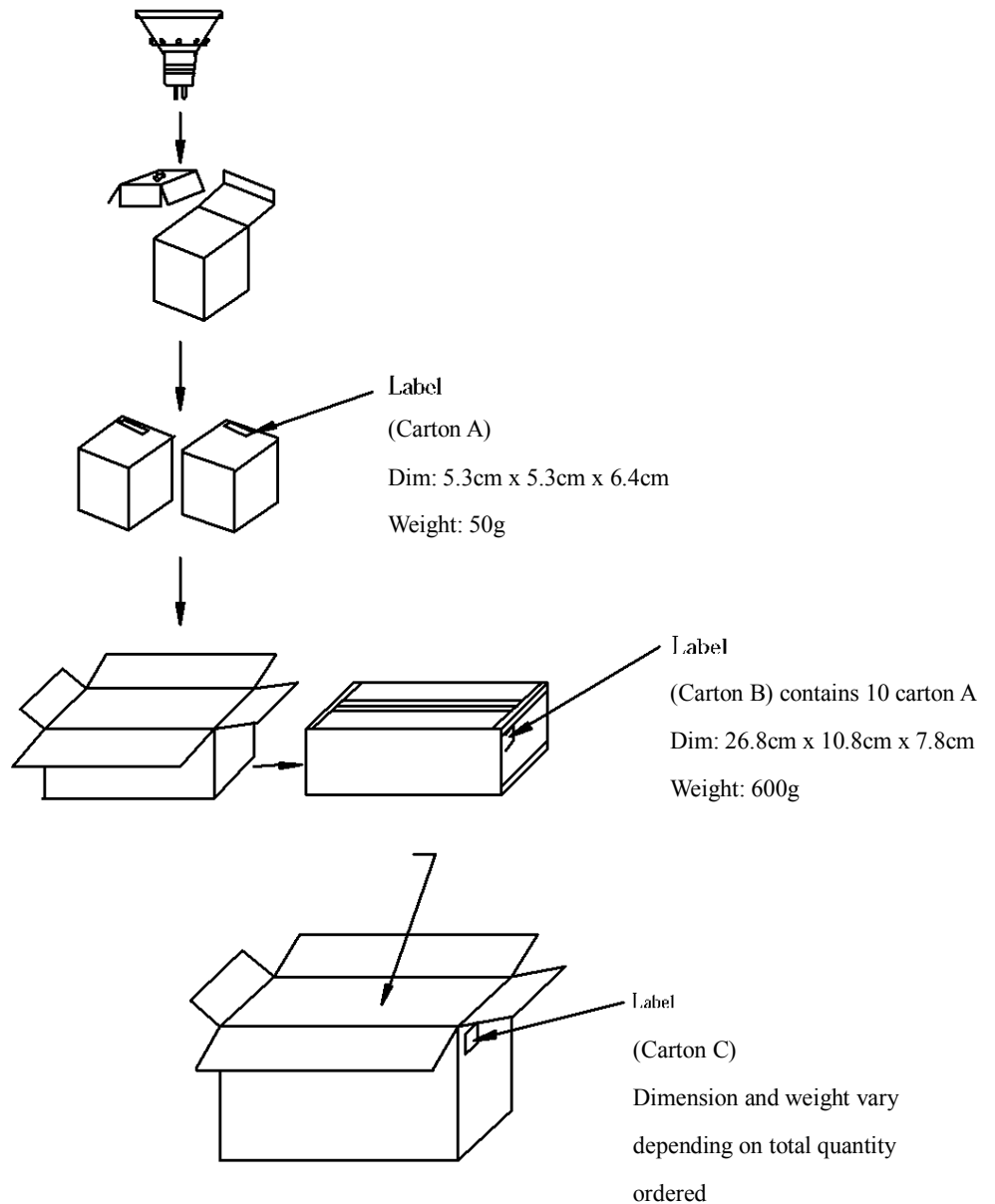
Material: Porcelain



PRELIMINARY

3rd Floor, Building 36, Xin Mu Industrial Park, Ping Hu Town, Longgang, Shenzhen, China PRC
 TEL +86.755.6120.1818 · FAX +86.755.6120.1817 · sales@brilliance-tech.com

PACKAGING SPECIFICATIONS



PRELIMINARY

LIMITED WARRANTY

Manufacturer warrants to the Purchaser that each Product manufactured and sold by it will be free from defects in material and workmanship in its intended use (normal wear and tear excepted) for the period of two years from date of Purchaser's purchase (the invoice date) from Manufacturer. Manufacturer's warranty flows only to Purchaser. If any Product covered by this warranty is returned by Purchaser in accordance with Manufacturer's Products Return Policy, including without limitation its return authorization provisions, within the applicable warranty period set forth above, and upon examination Manufacturer determines to its satisfaction that such Product was defective in material or workmanship at the time of delivery to the Purchaser, Manufacturer will, at its option, repair or replace the Product or the defective part thereof, or reimburse Purchaser for the purchase price. For purposes of clarity, "repair or replace the Product or the defective part thereof" does not include any reinstallation costs or expenses. If Manufacturer chooses to replace the Product and is not able to do so because it has been discontinued or is not available, Manufacturer may replace it with a comparable product. The Products Return Policy is posted on Manufacturer's Internet web site at http://www.brilliance-led.com/En_terms_conditions.asp. The foregoing notwithstanding, Manufacturer will not be responsible for damage to any Product resulting from misuse, negligence, acts of God or accident or resulting from repairs or alterations made by any person or firm not duly authorized by Manufacturer in writing. Purchaser shall convey with each Product distributed to end users the MANUFACTURER'S LIMITED WARRANTY included by Manufacturer with such Product, and, if Manufacturer determines that the appropriate remedy for a defective product is refund of Purchaser's purchase price, Purchaser shall refund to the end user (or arrange for the refund to the end user of) the full purchase price paid by the end user for such defective Product.

THIRD PARTY WARRANTIES

With respect to products sold to the Purchaser by Manufacturer but not manufactured by Manufacturer, MANUFACTURER MAKES NO WARRANTY OF ANY KIND, EXPRESS OR IMPLIED, INCLUDING, WITHOUT LIMITATION, ANY WARRANTY OF MERCHANTABILITY OR FITNESS FOR A PARTICULAR PURPOSE, but will make available to the Purchaser, to the extent permitted by law and relevant contracts, the warranties of the manufacturer of the relevant product upon the Purchaser's timely written request.

NON-IMPLIED WARRANTIES

THE WARRANTIES GIVEN IN THESE TERMS ARE THE ONLY WARRANTIES GIVEN BY THE MANUFACTURER WITH RESPECT TO THE PRODUCTS AND ARE GIVEN IN LIEU OF ALL OTHER WARRANTIES, EXPRESS OR IMPLIED, INCLUDING, BUT NOT LIMITED TO, WARRANTIES OF MERCHANTABILITY, OF NON INFRINGEMENT AND OF FITNESS FOR A PARTICULAR PURPOSE. PURCHASER'S EXCLUSIVE REMEDIES, AND MANUFACTURER'S SOLE LIABILITY, FOR ANY NONCONFORMITY OR DEFECT IN ANY PRODUCT SHALL BE THOSE EXPRESSED HEREIN.

LIMITATION OF LIABILITY

An essential purpose of the limited exclusive liabilities and remedies in this Agreement is allocation of risks between Manufacturer and Purchaser, which allocation of risks is reflected in the purchase price for the Products. UNDER NO CIRCUMSTANCES SHALL MANUFACTURER'S LIABILITY ARISING OUT OF OR IN CONNECTION WITH THIS AGREEMENT OR MANUFACTURER'S PERFORMANCE OR ASSERTED FAILURE TO PERFORM HEREUNDER, IN CONTRACT, TORT (INCLUDING NEGLIGENCE) OR OTHERWISE, EXCEED THE PURCHASE PRICE OF THE PRODUCT TO WHICH SUCH LIABILITY RELATES. IN NO EVENT SHALL MANUFACTURER BE LIABLE FOR SPECIAL, INCIDENTAL OR CONSEQUENTIAL DAMAGES, INCLUDING, WITHOUT LIMITATION, DAMAGES RESULTING FROM LOSS OF USE, PROFITS, BUSINESS OR GOODWILL, WHETHER OR NOT MANUFACTURER HAS BEEN ADVISED OF THE POSSIBILITY THEREOF.

Patents Pending Product
5W GU10-MR/SDI-Rev. 1.0c
Specifications are subject to change without notice.
Copyright Brilliance Technologies Co., Ltd. All rights reserved.

